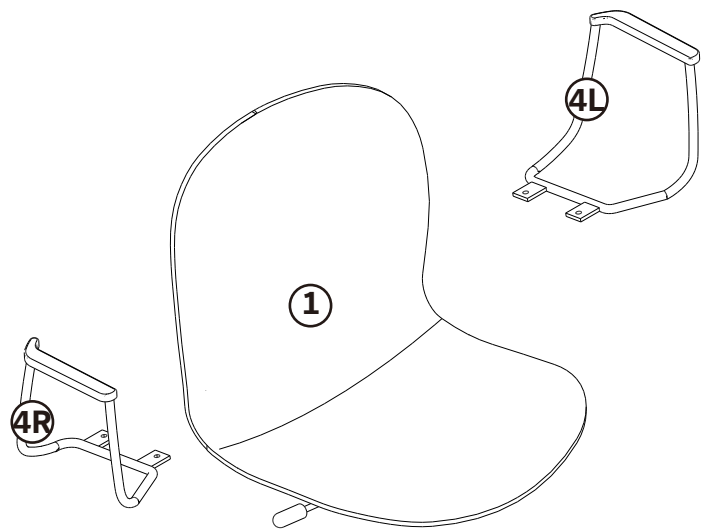
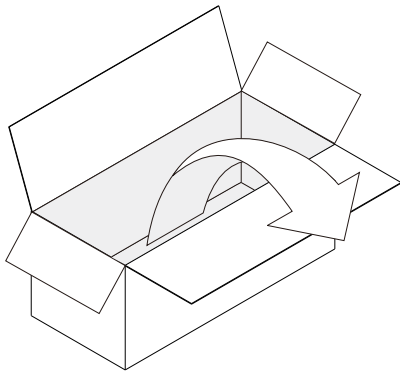
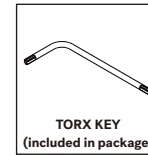


## RBM NOOR OFFICE CHAIR ASSEMBLY INSTRUCTIONS FOR CHAIR INSTALLATION

### HARDWARE ENCLOSED



### TOOL



### IN YOUR PACKAGE :

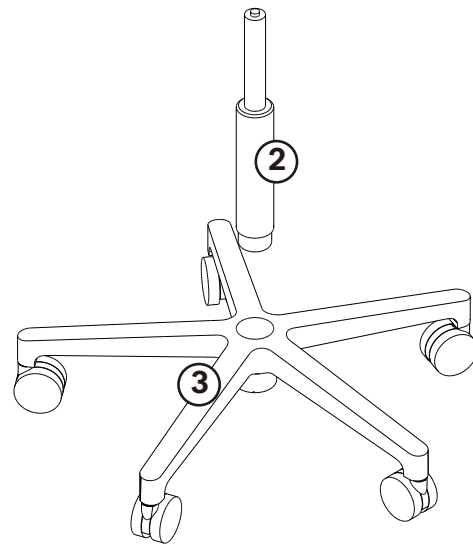
ASSEMBLY INSTRUCTION  
HARDWARES (AS LISTED ABOVE)

### PARTS TO BE INSTALLED

1. SEAT 1 pc
2. GASLIFT CYLINDER 1pc
3. CHAIR BASE 1pc

### ADDITIONAL PART FOR CHAIR WITH ARMREST

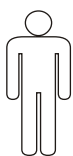
4. ARMREST 2 pcs



### SYMBOLS



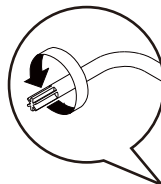
DIRECTION



NUMBER OF  
PERSONS NEEDED

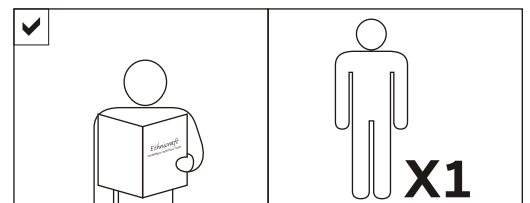


USE HAND

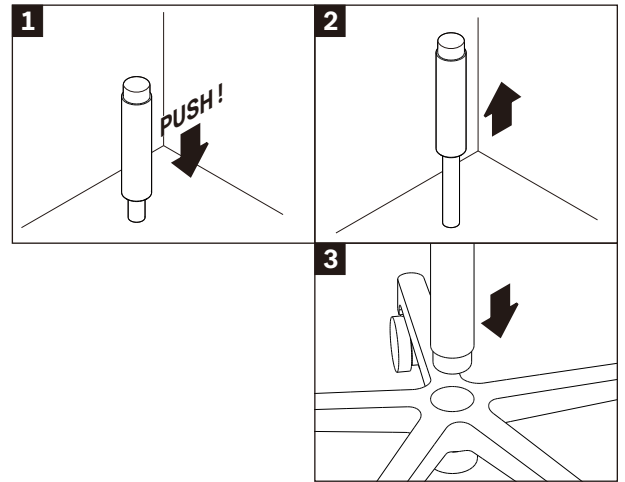
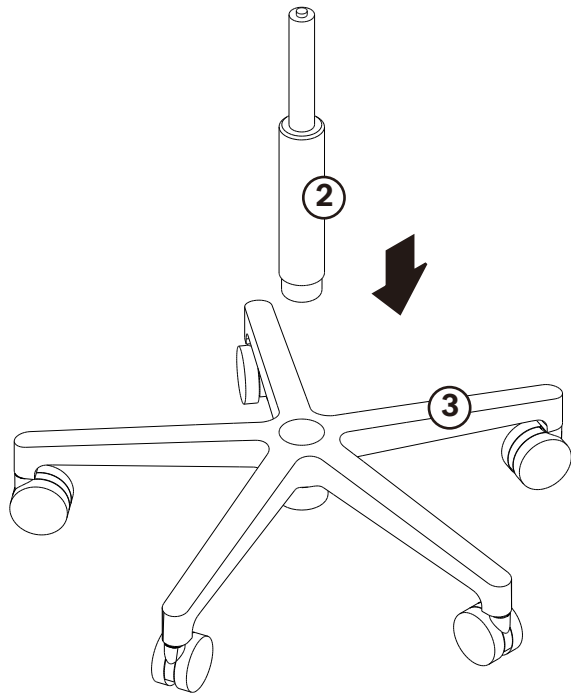


USE TORX KEY  
TO TIGHTEN

### NOTICE

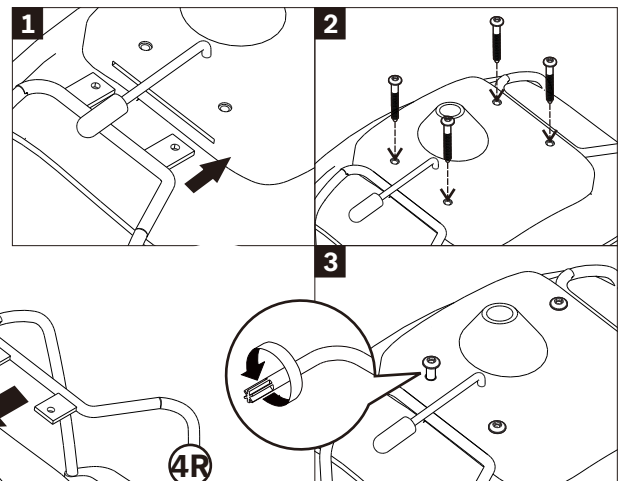
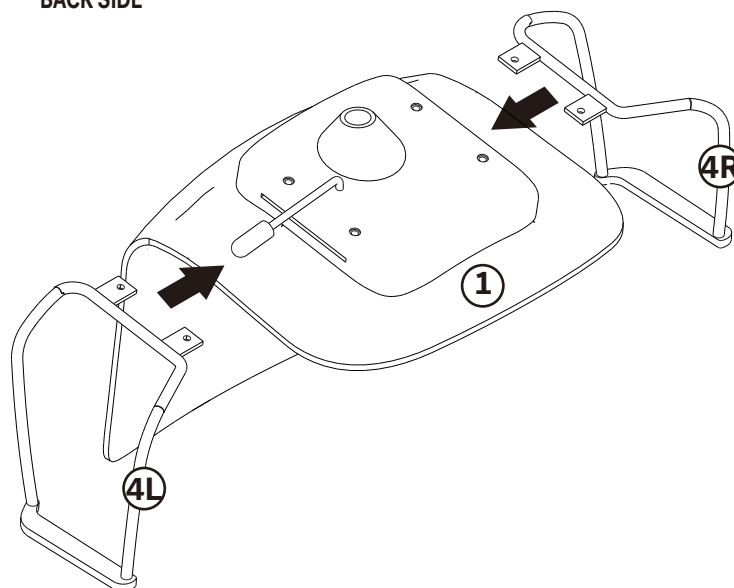
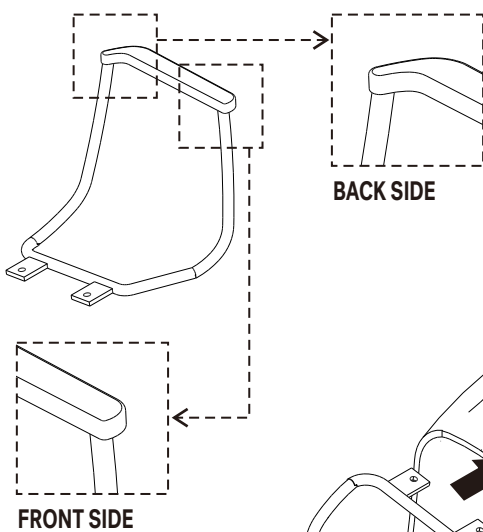


### A INSTALLING GASLIFT CYLINDER TO CHAIR BASE



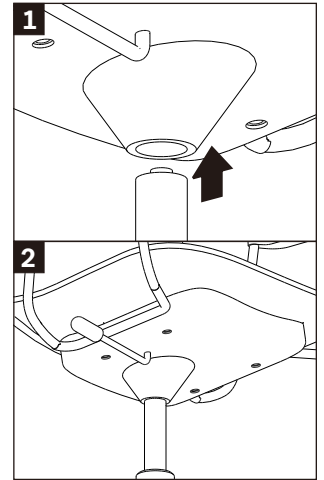
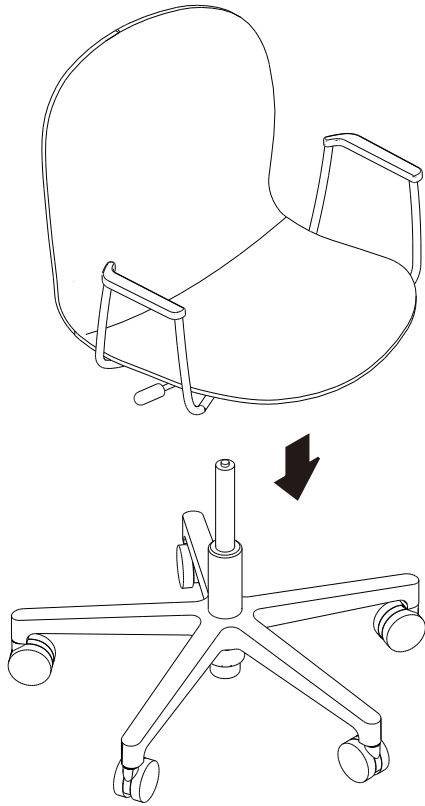
### B INSTALLING ARMREST TO SEAT

OPTIONAL STEP FOR CHAIR WITH ARMREST



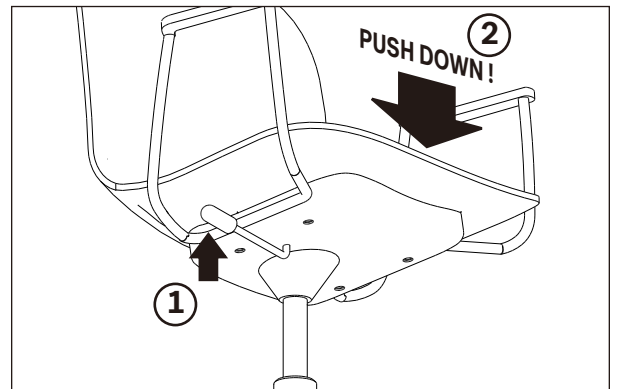
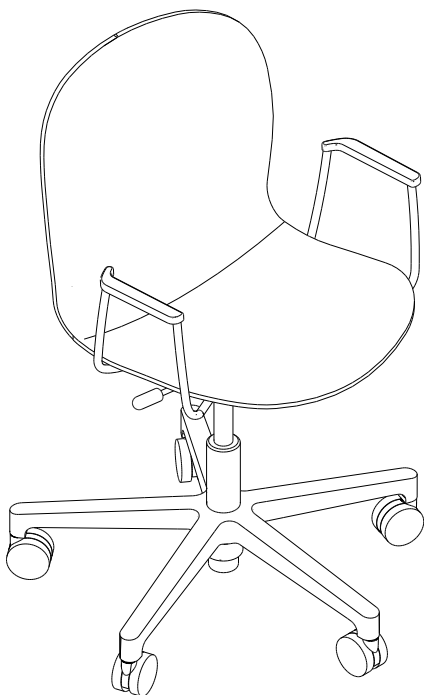
 TIGHTEN FULLY

### C INSTALLING SEAT TO CHAIR CYLINDER

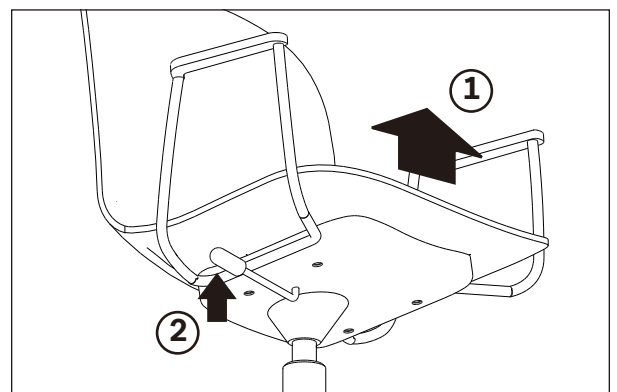


**!** MAKE SURE THE HOLES OF SEAT AND CYLINDER CHAIR IN LINE

### D ADJUSTING HEIGHT OF CHAIR



**!** TO LOWER THE HEIGHT



**!** TO RAISE THE HEIGHT