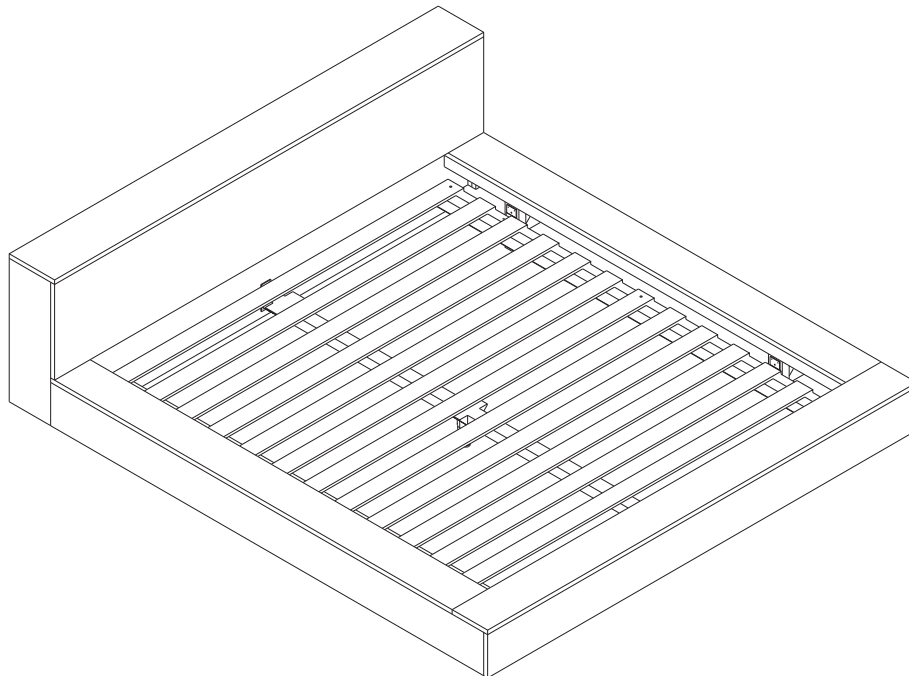


ASSEMBLY INSTRUCTIONS FOR BED INSTALLATION

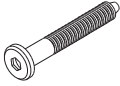


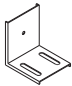
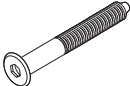
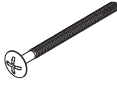





OAK MADRA BED - WITH SLATS

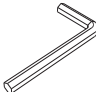
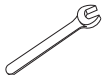
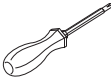
51203	OAK MADRA BED - US KING SIZE - WITH SLATS 193/203/71
51204	OAK MADRA BED - US/AU QUEEN SIZE - WITH SLATS 153/203/71

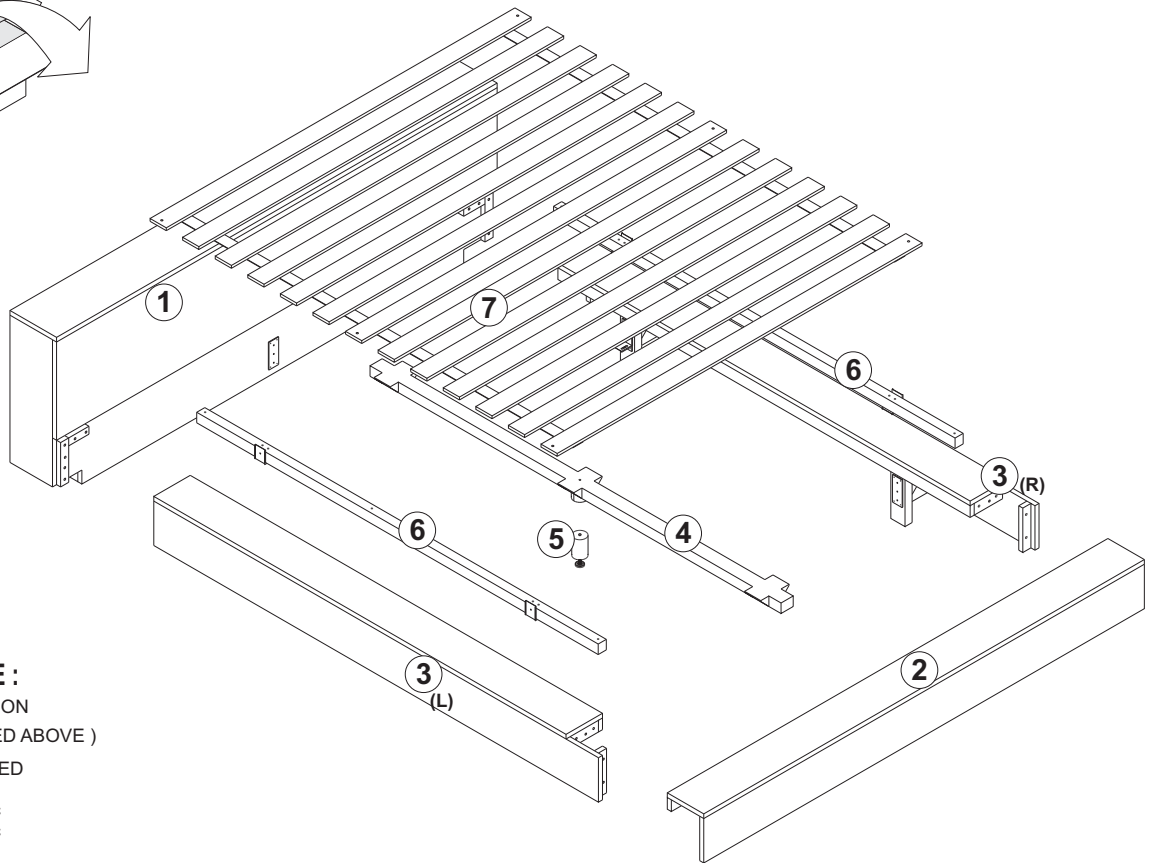
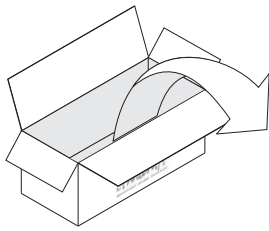
OAK MADRA BED - WITH SLATS
 ASSEMBLY INSTRUCTION FOR BED INSTALLATION

HARDWARE ENCLOSED

 (10X) JCBC SCREW M6 X 45 mm	 (4X) JCBC SCREW M6 X 20 mm	 (6X) JCBC SCREW M6 X 6 mm	 (6X) L BRACKET	
 (1X) COUNTERSUNK SCREW M6 X 50 mm	 (14X) JF SCREW M5 X 60 mm	 (12X) DOWEL Ø12 X 40 mm	 (8X) WASHER M6	 (8X) NUT M6

TOOLS

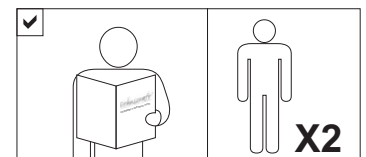
 L KEY (Included in package)	 WRENCH (Not included in package)
 SCREWDRIVER (Not included in package)	



IN YOUR PACKAGE :
 ASSEMBLY INSTRUCTION
 HARDWARE (AS LISTED ABOVE)
 PARTS TO BE INSTALLED

- 1. HEADBOARD 1pc
- 2. FOOTBOARD 1pc
- 3. SIDE RAILS 2pcs
- 4. MIDDLE SUPPORT 1pc
- 5. MIDDLE LEG 1pc
- 6. SLAT SUPPORTS 2pcs
- 7. SLATS 1set

NOTICE

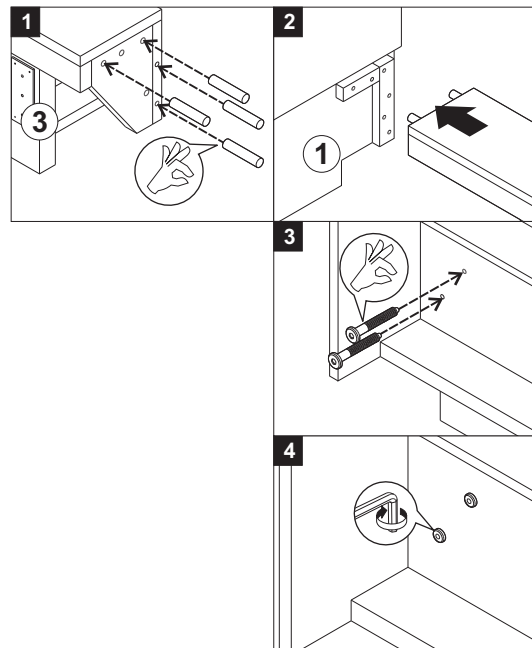
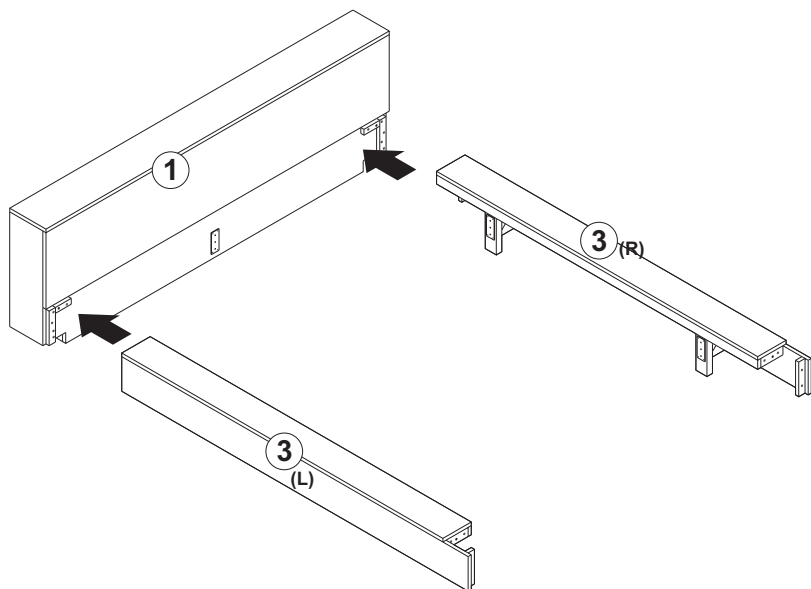



SYMBOLS

					
DIRECTION	NUMBER OF PERSON NEEDED	USE HAND	USE SCREWDRIVER TO TIGHTEN	USE L KEY TO TIGHTEN	USE WRENCH TO TIGHTEN

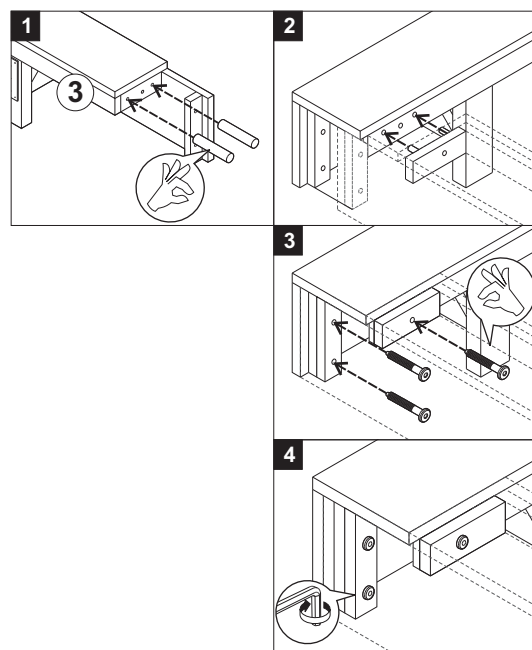
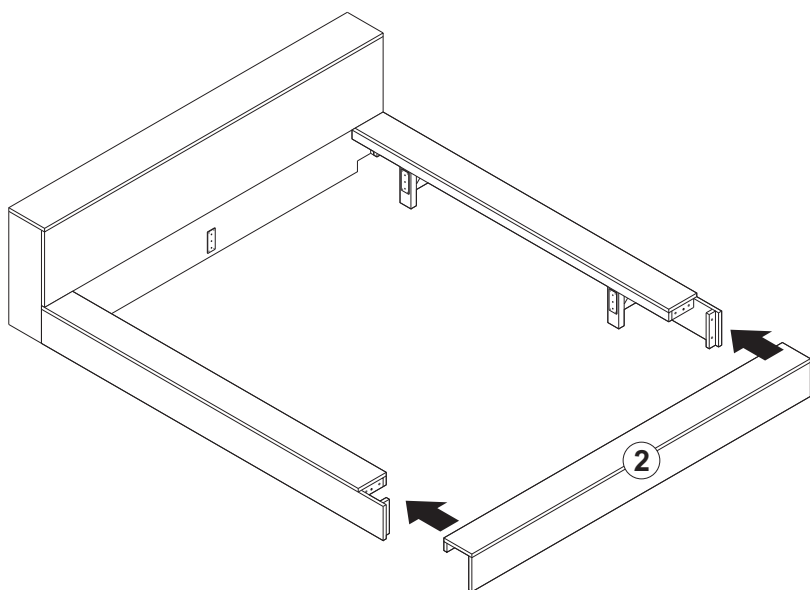
OAK MADRA BED - WITH SLATS
ASSEMBLY INSTRUCTION FOR BED INSTALLATION

A. INSTALLING SIDE RAILS TO HEADBOARD



-  - USE DOWEL Ø12x40 mm (8X)
- USE JCBC SCREW M6x45mm (4X)
- SCREW LOCATION ON THE BACK SIDE OF BEDHEAD
- DO NOT FULLY TIGHTEN

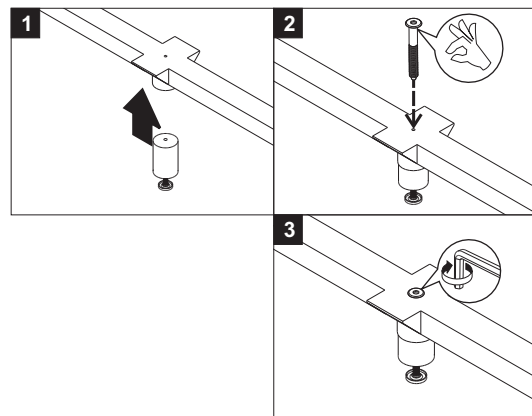
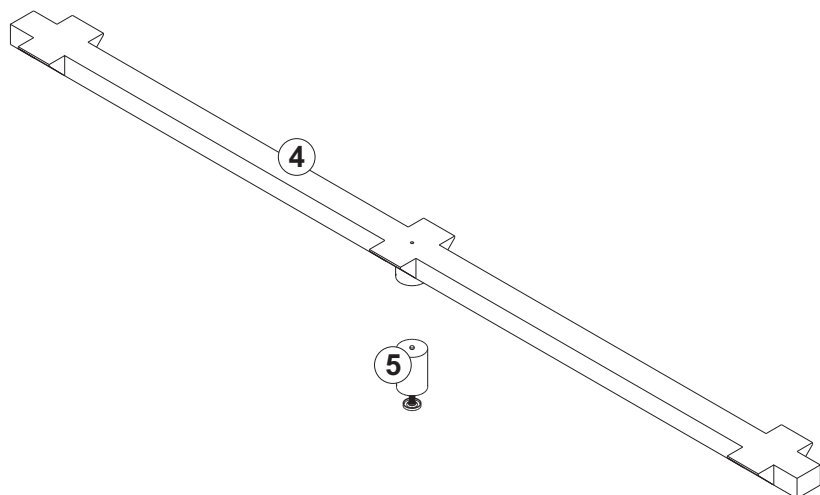
B. INSTALLING FOOTBOARD TO SIDERAILS



-  - USE DOWEL Ø12x40 mm (4X)
- USE JCBC SCREW M6x45mm (6X)
- DO NOT FULLY TIGHTEN

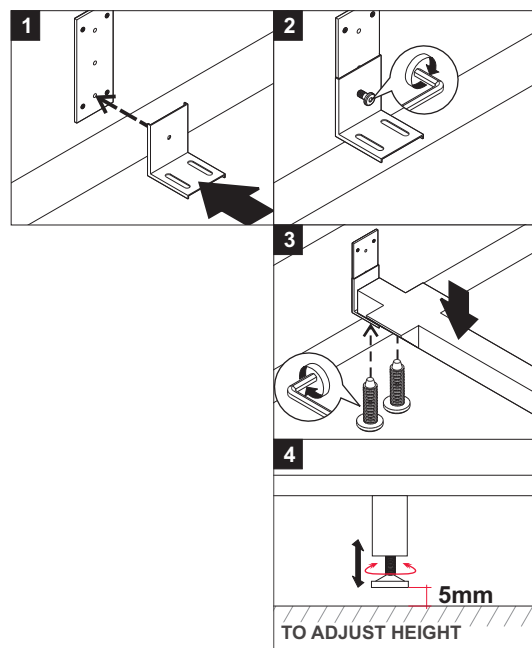
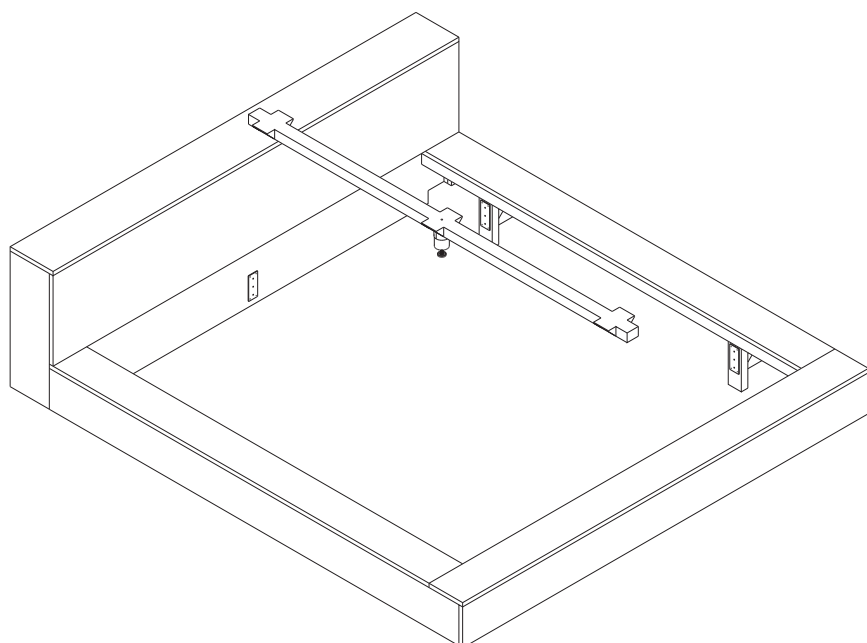
OAK MADRA BED - WITH SLATS
ASSEMBLY INSTRUCTION FOR BED INSTALLATION

C. INSTALLING MIDDLE LEG TO MIDDLE SUPPORT



- USE COUNTERSUNK SCREW M6x50mm (1X)
- TIGHTEN FULLY

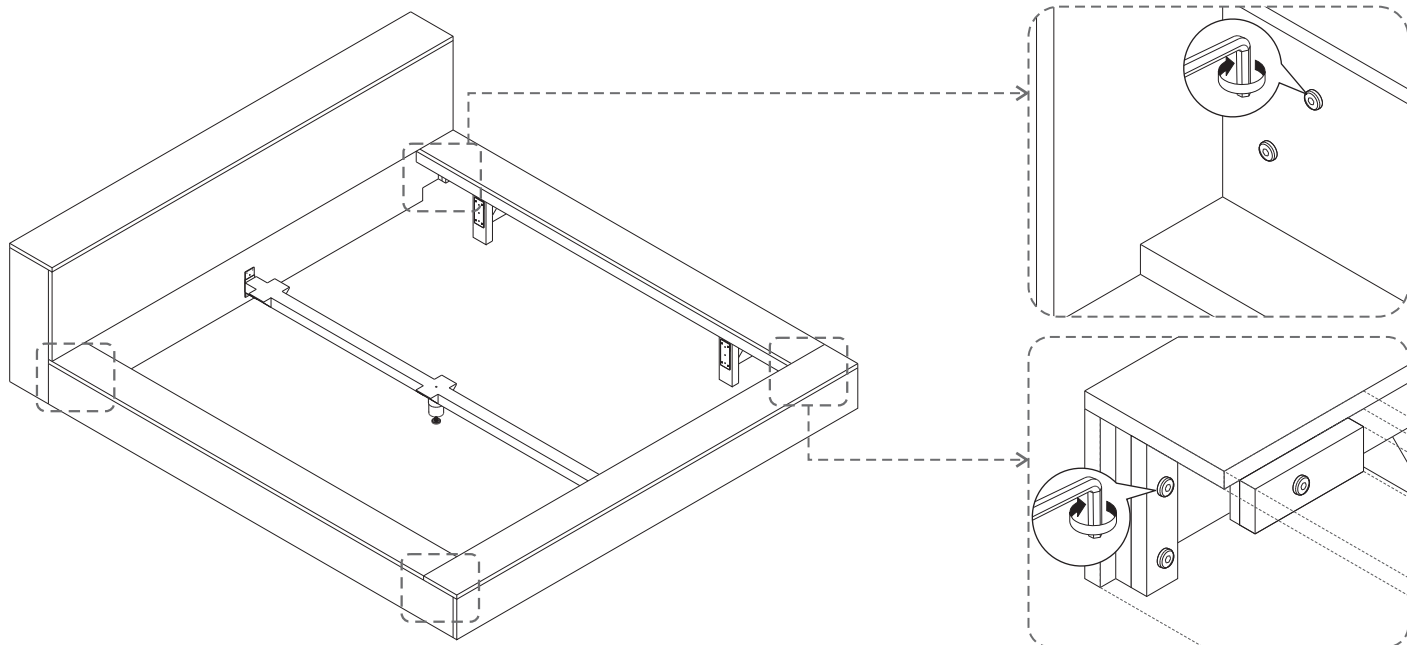
D. INSTALLING MIDDLE SUPPORT



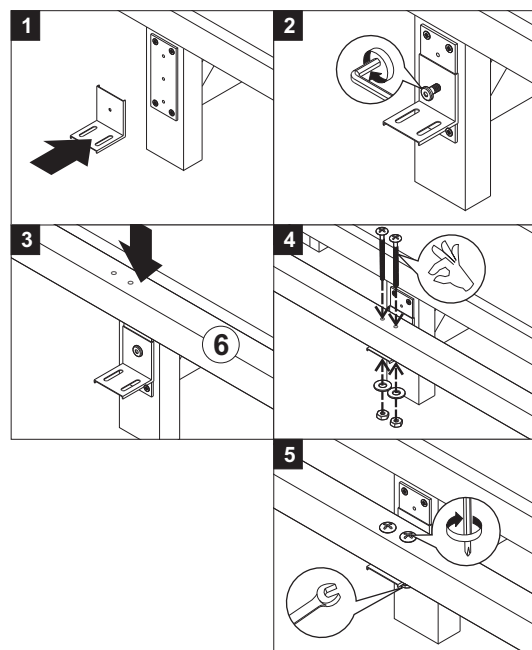
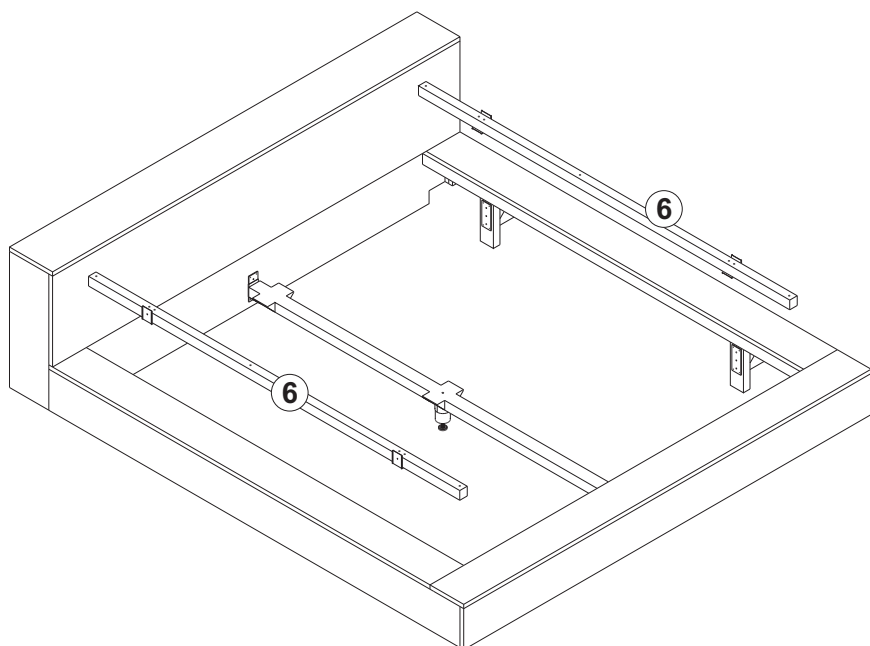
- USE JCBC SCREW M6x6mm (2X) FOR STEP 2
- USE JCBC SCREW M6x20mm (4X) FOR STEP 3
- DO NOT FULLY TIGHTEN

OAK MADRA BED - WITH SLATS
ASSEMBLY INSTRUCTION FOR BED INSTALLATION

E. TIGHTEN FULLY ALL SCREWS



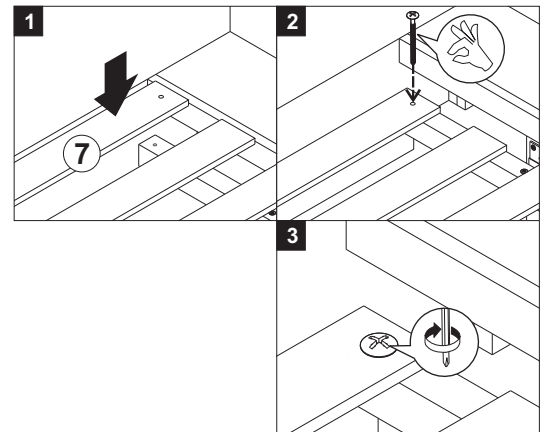
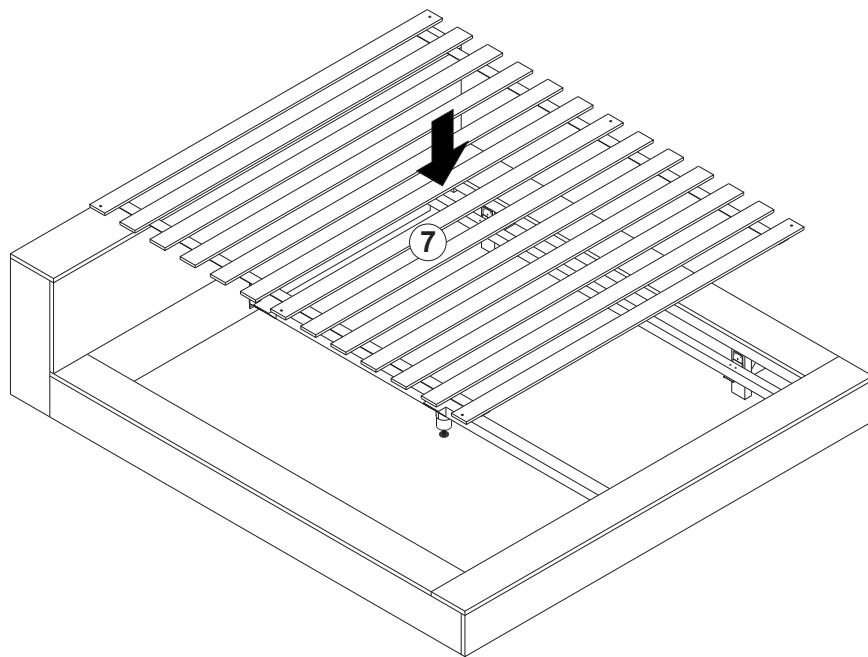
F. INSTALLING SLATS SUPPORTS



- USE JCBC SCREW M6x6mm (4X) FOR STEP 2
- USE JF SCREW M5x60mm (8X)
- USE WASHER M6 (8X)
- USE NUT M6 (8X)
- FOR STEP 4
- TIGHTEN FULLY

OAK MADRA BED - WITH SLATS ASSEMBLY INSTRUCTION FOR BED INSTALLATION

G. INSTALLING SLATS



- USE JF SCREW M5x60mm (6X)
- TIGHTEN FULLY

! SLATS TO BE ASSEMBLED ARE NUMBER 1, 7, AND 13

H. FINISH

