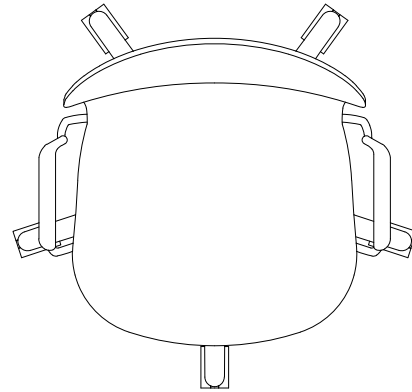
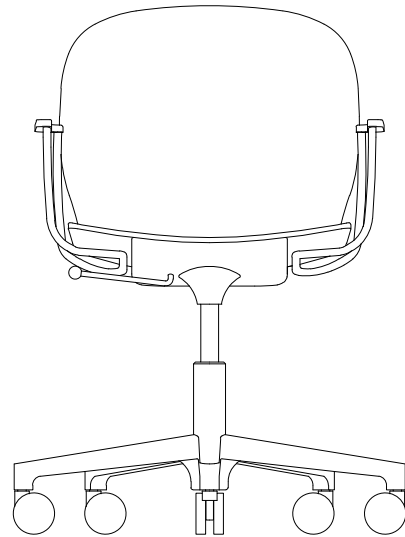


26.2



28.7-33.9



14.2

14.0-19.3

