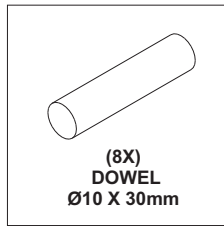
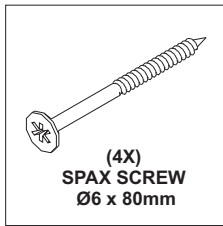
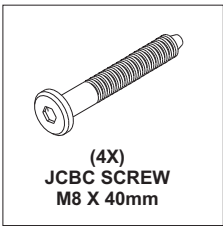
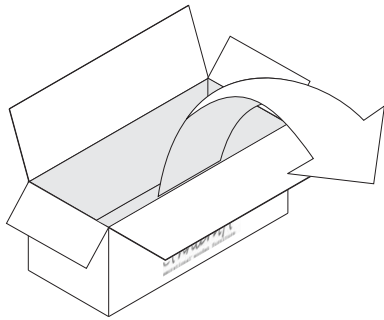
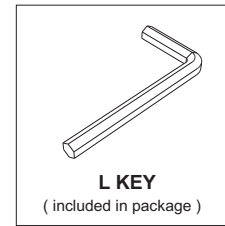


## 50545 OAK MIKADO ROUND DINING TABLE ASSEMBLY INSTRUCTIONS FOR DINING TABLE INSTALLATION

### HARDWARE ENCLOSED

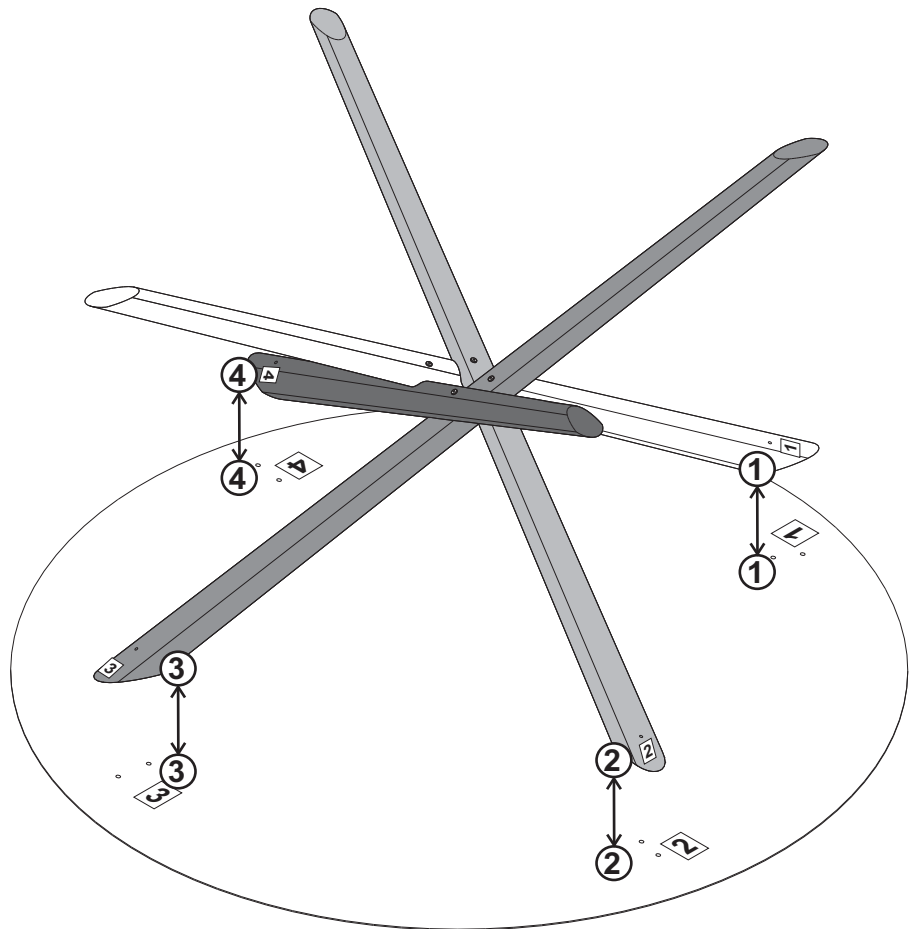


### TOOLS



**IN YOUR PACKAGE :**  
ASSEMBLY INSTRUCTIONS  
HARDWARES ( AS LISTED ABOVE)

- PARTS TO BE INSTALLED**  
1. TOP PANEL 1pc  
2. LEGS 4 set



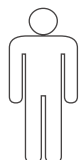
### NOTICE

✓ 	✓ 	X 	 <b>X3</b>
-------	-------	-------	---------------

### SYMBOLS



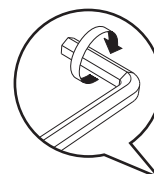
DIRECTION



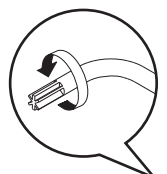
NUMBER OF  
PERSON NEEDED



USE HAND



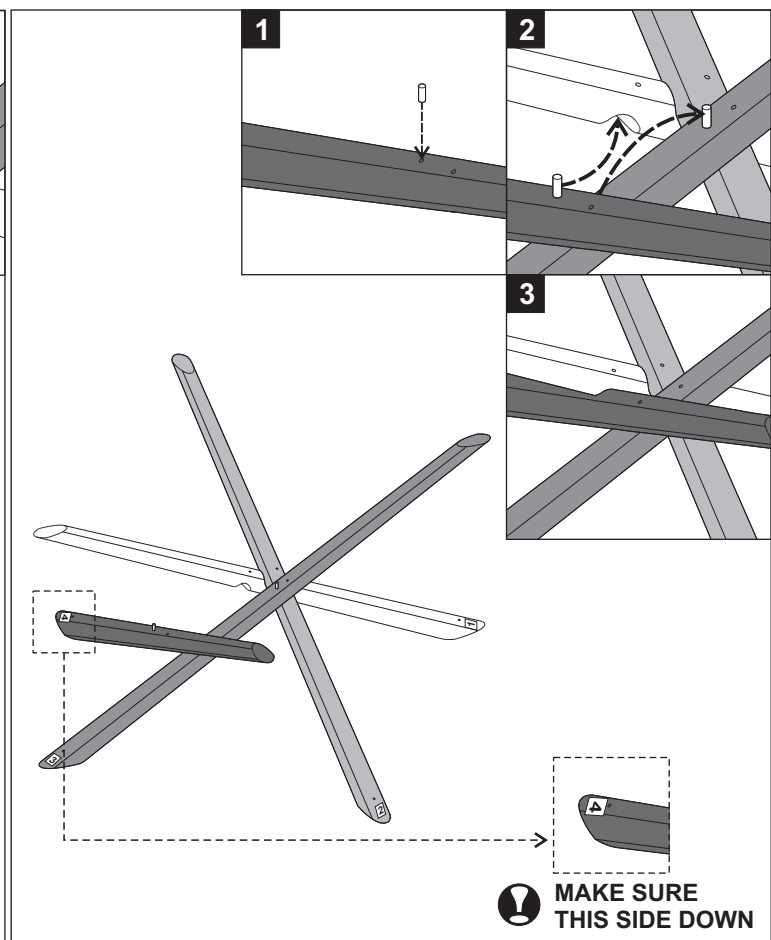
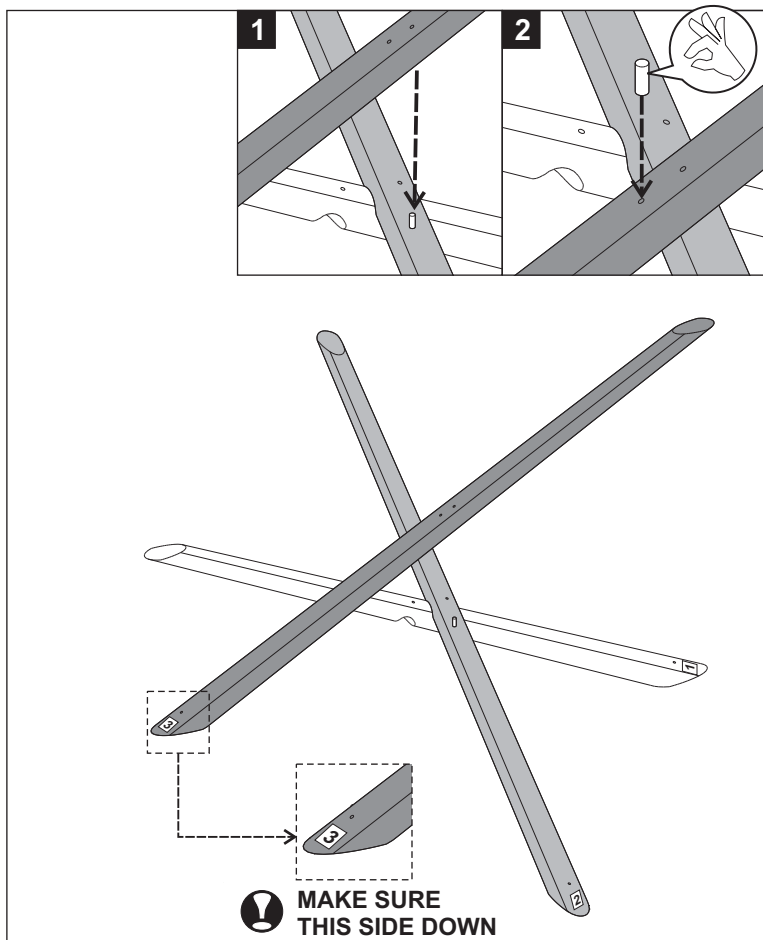
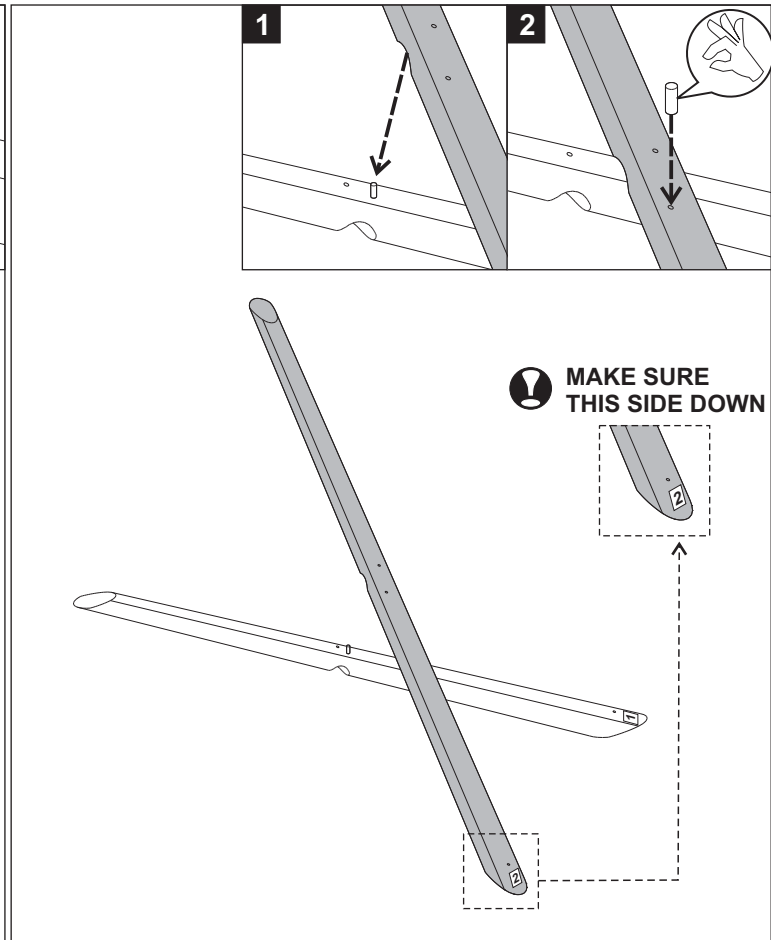
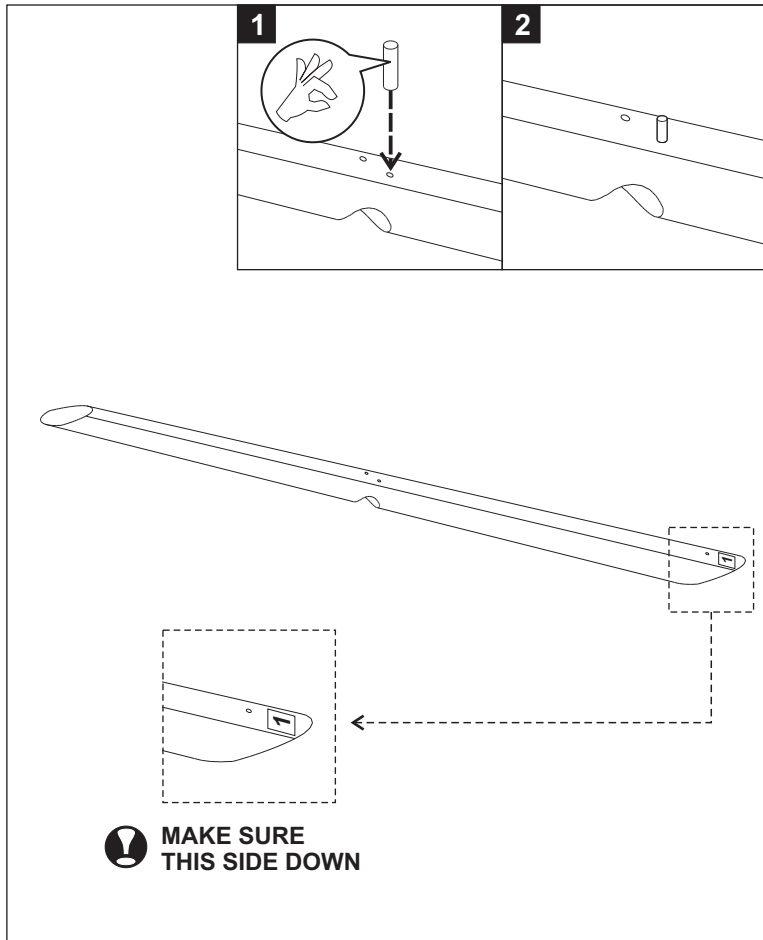
USE L KEY  
TO TIGHTEN



USE TORX ALLEN  
TO TIGHTEN

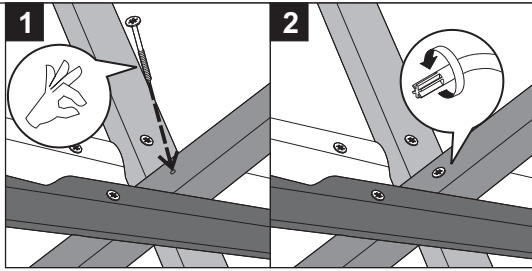
## 50545 OAK MIKADO ROUND DINING TABLE ASSEMBLY INSTRUCTIONS FOR DINING TABLE INSTALLATION

### A. ASSEMBLING THE LEGS

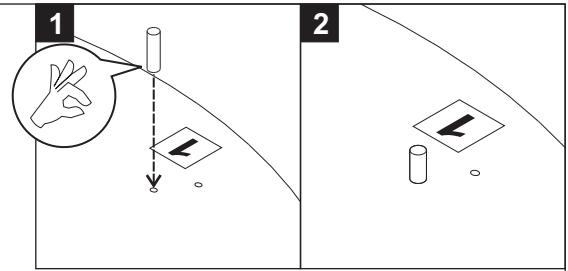


## 50545 OAK MIKADO ROUND DINING TABLE ASSEMBLY INSTRUCTIONS FOR DINING TABLE INSTALLATION

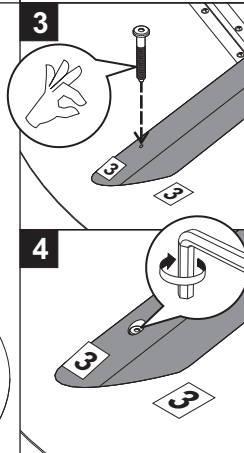
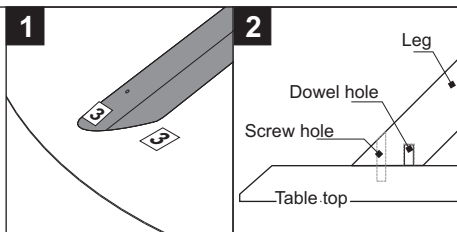
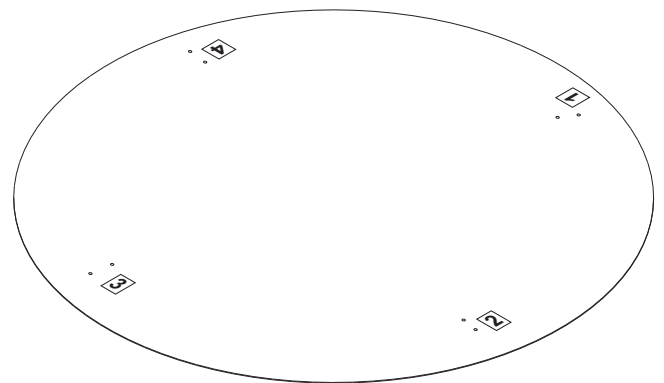
### B. INSTALLING THE LEGS TO THE TOP PANEL



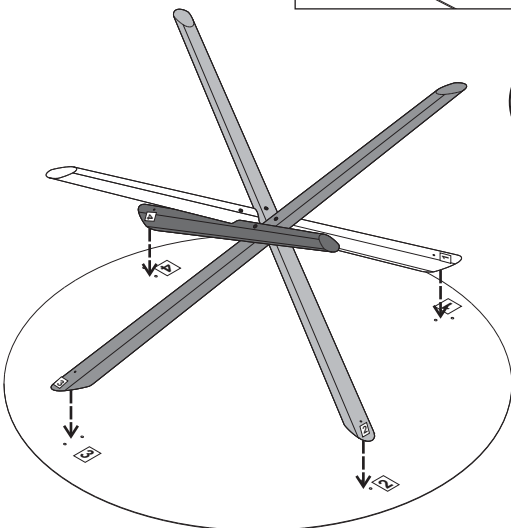
- ! - USE SPAX SCREW (4X)
- DO NOT FULLY TIGHTEN



- ! USE DOWEL (4X)



- ! TIGHTEN FULLY ALL SCREWS



- ! - USE JCBC SCREW (4X)
- TIGHTEN FULLY
- MAKE SURE THE NUMBERING AT THE LEGS AS WELL ON THE TABLE TOP IS CORRECT.

